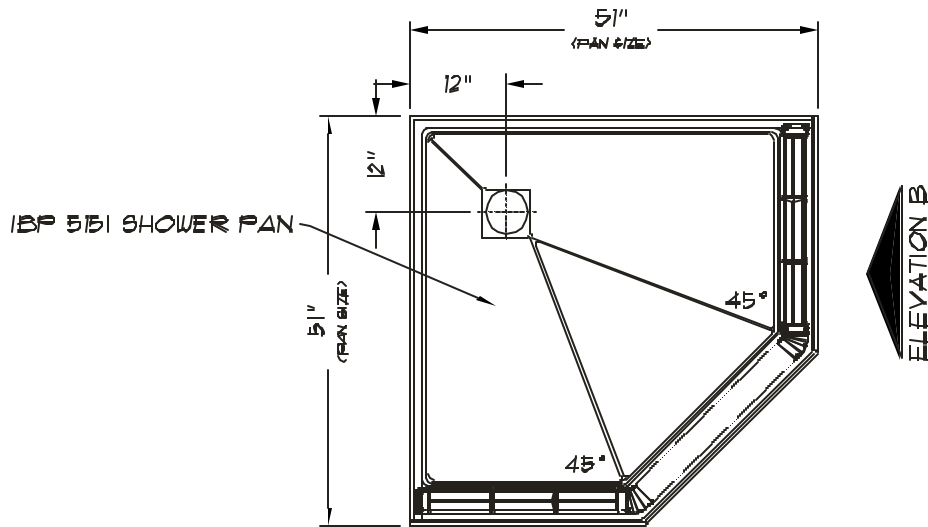
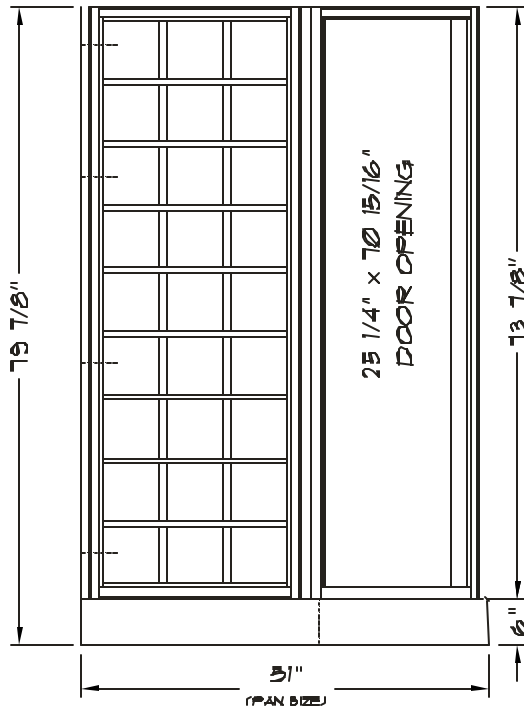


# NEO ANGLE - 2000 SERIES

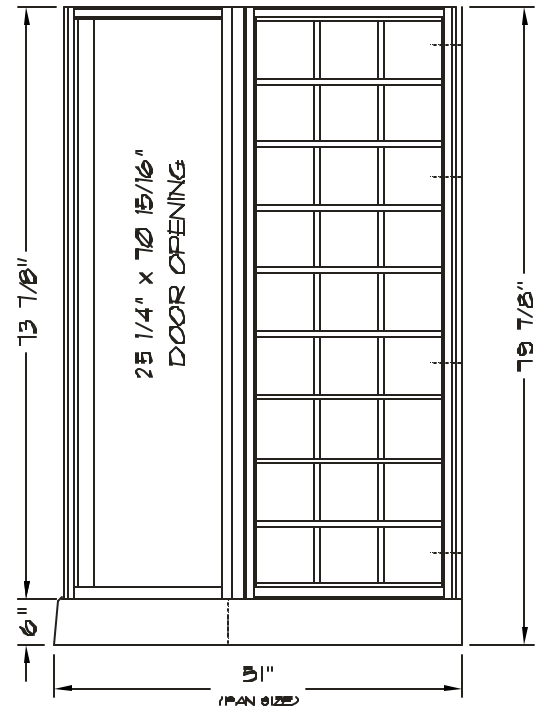
Model : 2003 - 73P



ELEVATION A



ELEVATION A

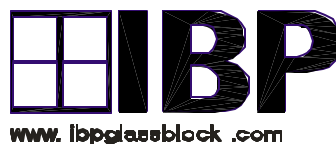


ELEVATION B

ALL DIMENSIONS ARE RECOMMENDED  
FINISHED SURFACE DIMENSIONS

54 GLASS BLOCK REQUIRED (8x8x3)

IBP Glass Block Grid System™  
is a trademark of Innovative Building Products, Inc. • Fort Worth, TX USA  
U.S. Patent Numbers:  
4204640 • 4000044 • 5003744 • 5042210 • 5218406  
Australia: 634975 • 630900 Canada: 1328976 • 2015714  
Brazil: F10804268-7 Germany: 3010987 • 3017183 Mexico: 62,430 • 67,716  
Europe: 0294075 • 0301374 Mexico: 103468 • 172717  
New Zealand: 230417 • 213268 Other patents pending worldwide



NEO ANGLE - 2000 SERIES

Model : 2003 - 73P