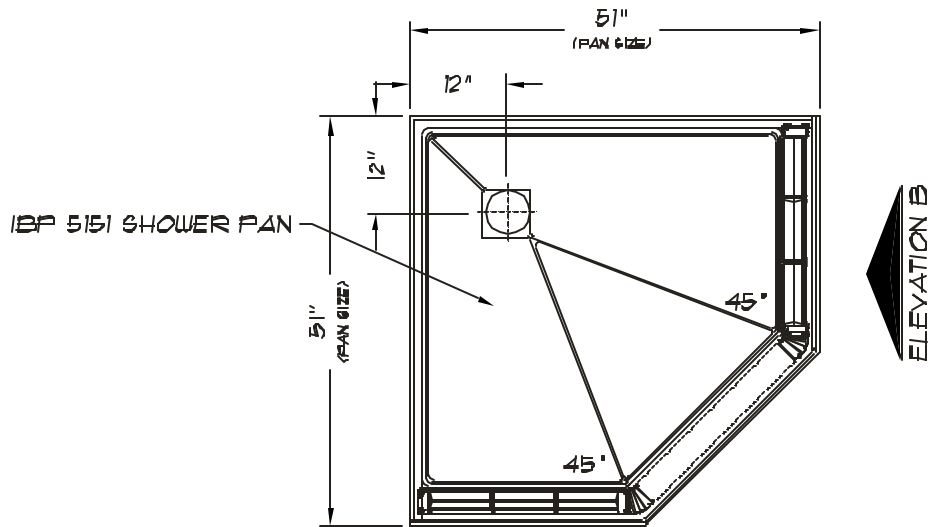
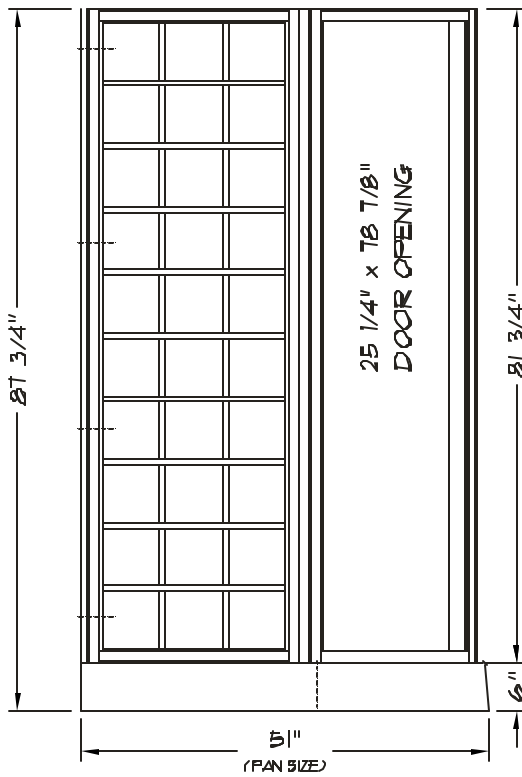


NEO ANGLE - 2000 SERIES

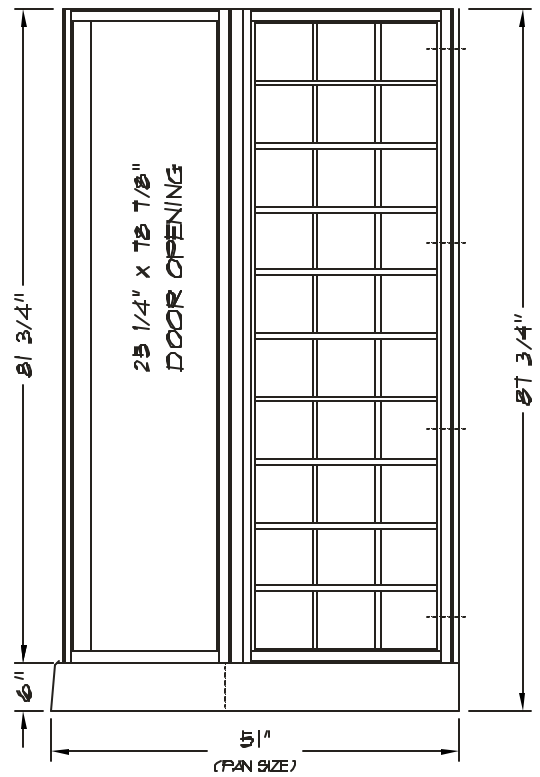
Model : 2003 - 80P



ELEVATION A



ELEVATION A



ELEVATION B

ALL DIMENSIONS ARE RECOMMENDED
FINISHED SURFACE DIMENSIONS

60 GLASS BLOCK REQUIRED (8x8x3)

IBP Glass Block Grid System™
is a trademark of Innovative Building Products, Inc. • Fort Worth, TX, USA
U.S. Patent Numbers
4294648 • 4399884 • 5003744 • 5042210 • 5218888
Australia: 134975 • 039904 Canada: 1320970 • 2015714
Brazil: P18904269-7 China: 3010097 • 3017183 Iceland: 62450 • 67701
Europe: 0316075 • 0356374 Mexico: 165461 • 172717
New Zealand: 234417 • 233568 Other patents pending worldwide



NEO ANGLE - 2000 SERIES

Model : 2003 - 80P