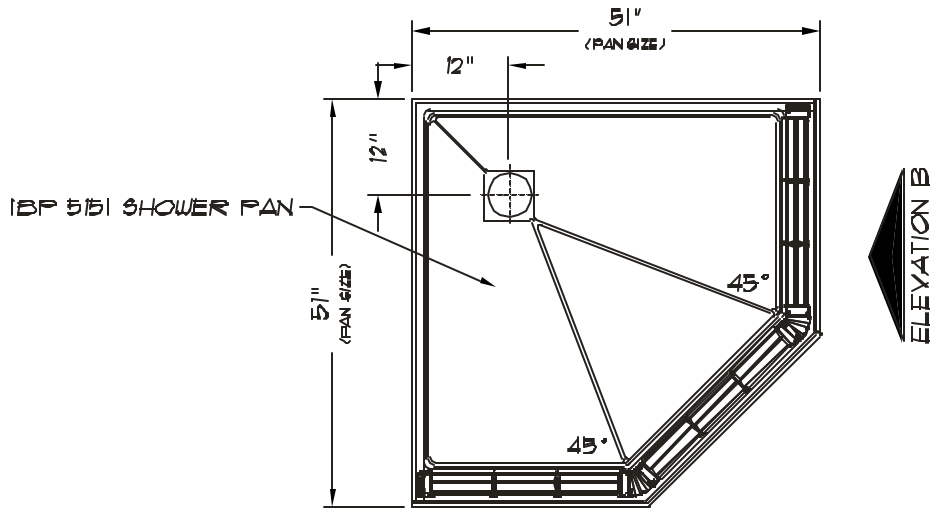
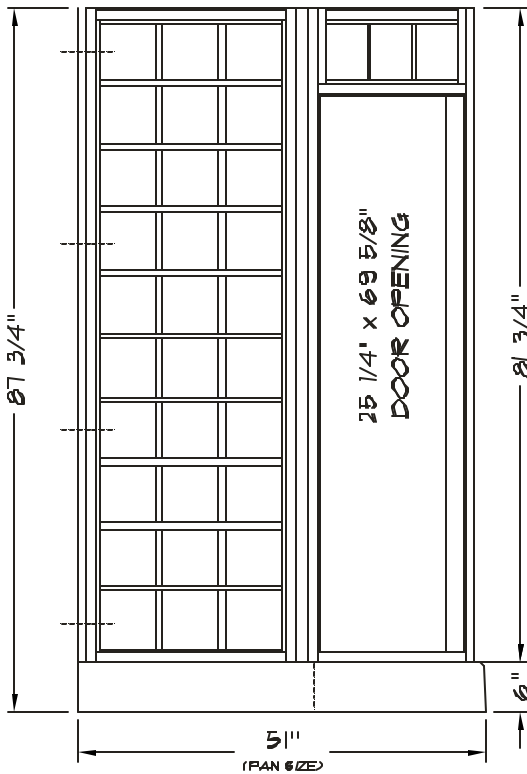


NEO ANGLE - 2000 SERIES

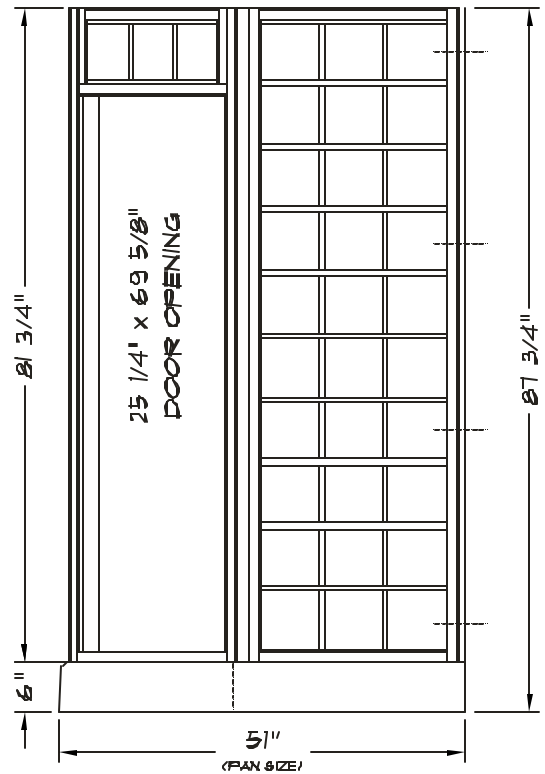
Model : 2003 - HP



ELEVATION A



ELEVATION A

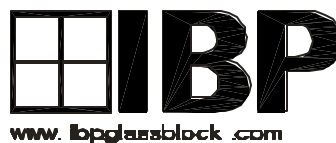


ELEVATION B

ALL DIMENSIONS ARE RECOMMENDED
FINISHED SURFACE DIMENSIONS

63 GLASS BLOCK REQUIRED (8x8x3)

IBP Glass Block Grid System™
is a trademark of Innovative Building Products, Inc. • Fort Worth, TX, USA
U.S. Patent Numbers:
4284648 • 4486844 • 5003744 • 5092210 • 5218806
Australia: 634975 • 639188 Canada: 1328970 • 2015714
Brazil: P 18804268-7 Greece: 3D14087 • 3D17183 Iceland: 62450 • 67706
Europe: 0294075 • 0596574 Mexico: 185458 • 172717
New Zealand: 230417 • 233664 Other patents pending worldwide



www.ibpglassblock.com

NEO ANGLE - 2000 SERIES

Model : 2003 - HP