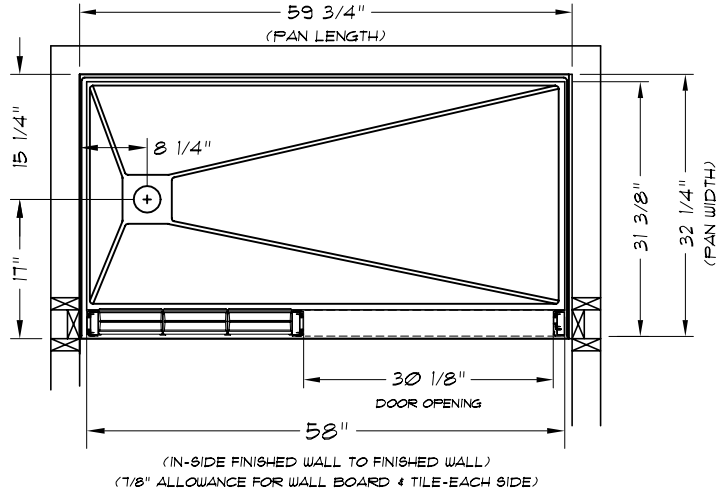
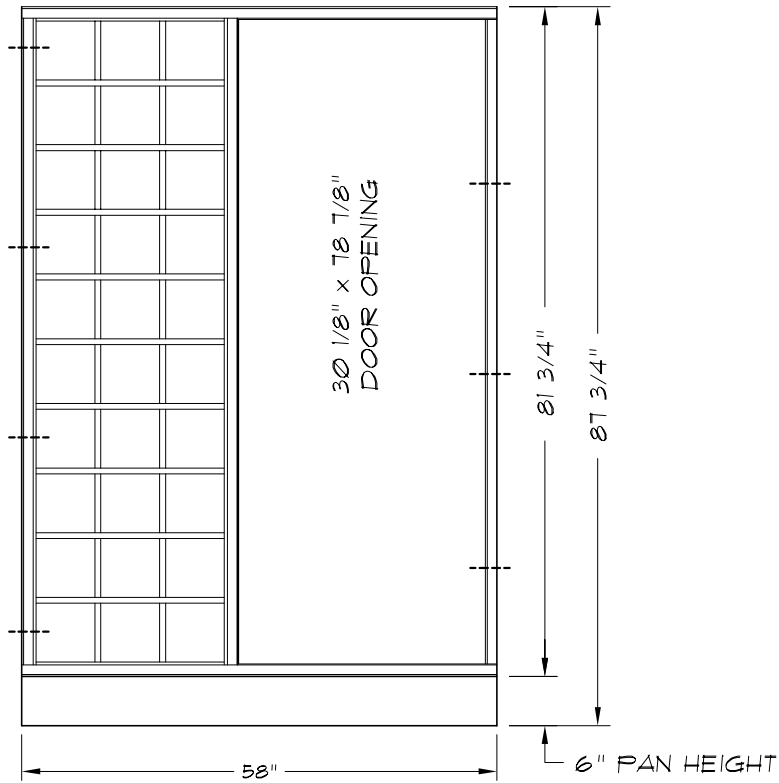


IN LINE - 4000 SERIES

Model : 4002 - 80P




ELEVATION



ELEVATION

ALL DIMENSIONS ARE RECOMMENDED
FINISHED SURFACE DIMENSIONS

30 GLASS BLOCK REQUIRED (8x8x3)

IBP Glass Block Grid System™
is a trademark of Innovative Building Products, Inc. * Fort Worth, TX, USA

U.S. Patent Numbers:
4294649 * 4999964 * 5003744 * 5042210 * 5218806

Australia: 634975 * 638988 Canada: 1328970 * 2015714
Brazil: P18904269-7 Greece: 3010097 * 3017183 Ireland: 62,450 * 67,796
European: 0396075 * 0356374 Mexico: 165468 * 172717
New Zealand: 230417 * 233568 Other patents pending worldwide



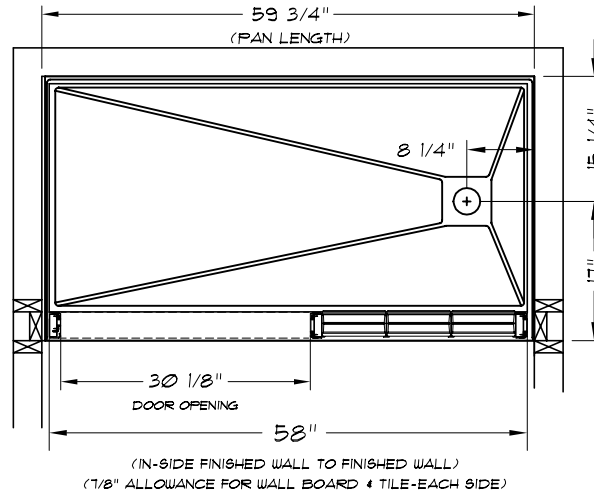
www.ibpglassblock.com

IN LINE - 4000 SERIES
(LEFT DRAIN)

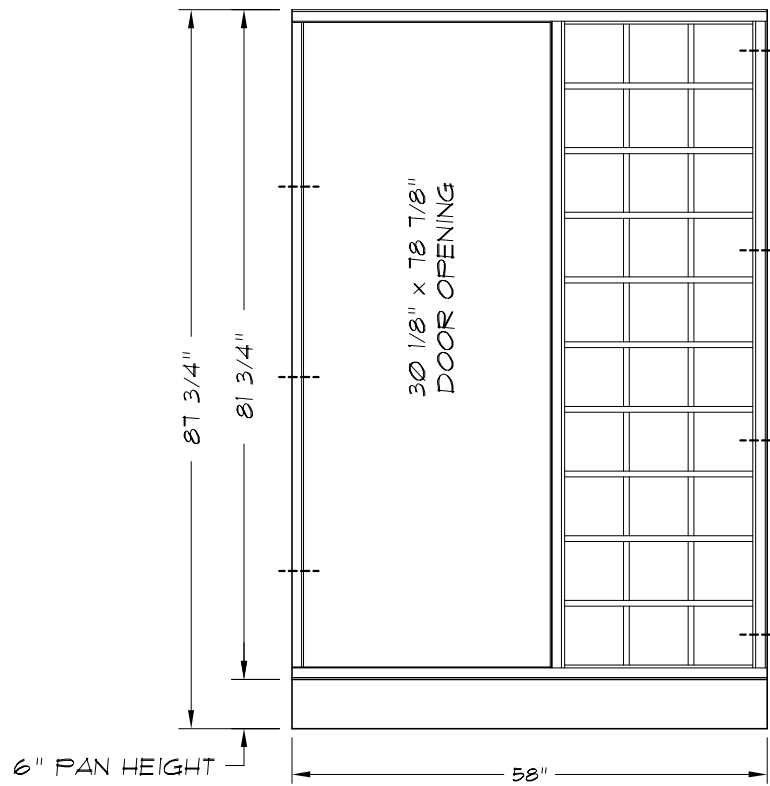
Model : 4002 - 80P

IN LINE - 4000 SERIES

Model : 4002 - 80P



ELEVATION



ELEVATION

ALL DIMENSIONS ARE RECOMMENDED
FINISHED SURFACE DIMENSIONS

30 GLASS BLOCK REQUIRED (8x8x3)

IBP Glass Block Grid System™
is a trademark of Innovative Building Products, Inc. * Fort Worth, TX, USA
U.S. Patent Numbers:
4294649 * 4999964 * 5003744 * 5042210 * 5218806
Australia: 634975 * 638988 Canada: 1328970 * 2015714
Brazil: P18904269-7 Greece: 3010097 * 3017183 Ireland: 62,450 * 67,796
European: 0396075 * 0356374 Mexico: 165468 * 172717
New Zealand: 230417 * 233568 Other patents pending worldwide



www.ibpglassblock.com

IN LINE - 4000 SERIES
(RIGHT DRAIN)

Model : 4002 - 80P