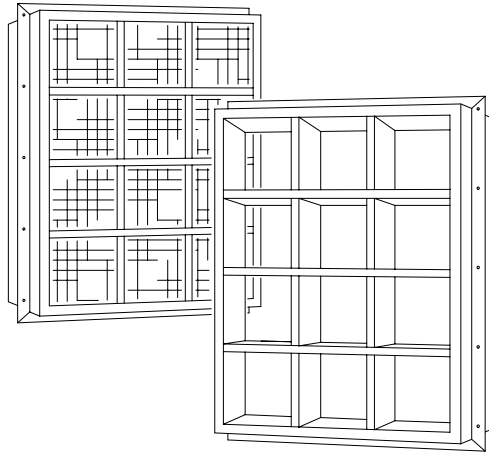


INSTALLATION INSTRUCTIONS FOR WINDOWS



IBP glass block grid system™
WINDOWS SKYLIGHTS • FLOORS SHOWERS WALLS

GENERAL INFORMATION

The installation instructions presented here are intended only for the **IBP GLASS BLOCK GRID SYSTEM** windows where the rough opening framing, drywall, and trim will be provided by others. For building construction information, refer to your local contractor or "Do-It-Yourself" manual. Instructions are for straight, flat panels. Other IBP systems are available for showers, skylights and floors.

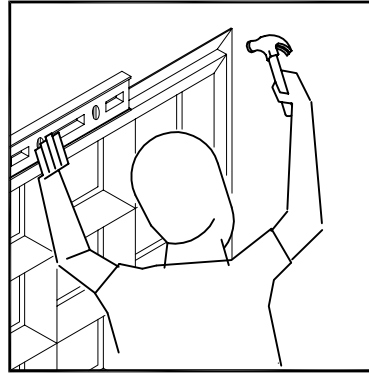
PREPARATION

1. Measure the rough opening to insure proper size. It is important to remember that the **IBP GLASS BLOCK GRID SYSTEM™** is not designed to support framing loads. Adequate provision must be made for support of construction around the unit.
2. All work surfaces should be smooth, flat, clean and free of all debris.
3. Read and study all directions and illustrations thoroughly.
4. Handling any metal object involving straight edges or sharp angles can be hazardous. Accordingly, exercise caution and wear gloves while handling and assembling this product.

INSTALLATION

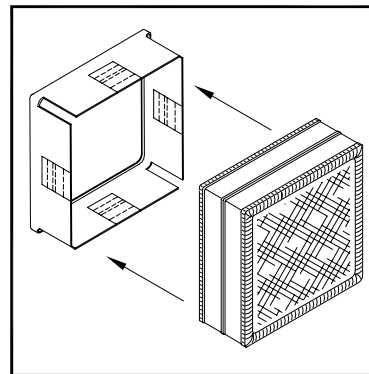
STEP 1

Run a wavy bead of sealant around the back side of the Z-Bar parts. Take the completed frame and place it in the opening, flange side toward interior. While your helper holds the frame in place, center it in the opening. Plumb and level; then nail or screw it in place. Refer to Reference drawings for an overall view of install window.

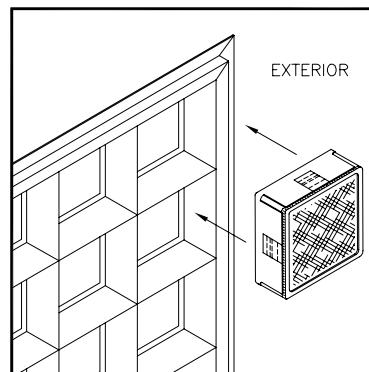


STEP 2

Take the glass block and place it in the glass block boot. Slide the glass block with the boot into the frame from the exterior side; be sure that the side of the boot that extends onto the face of the glass block is toward the interior (flange side) of the grid.



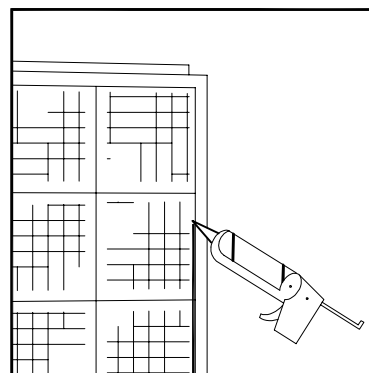
Because of the inconsistencies in the size of each glass block, it may be necessary to rotate the glass block in order for it to fit into an opening.



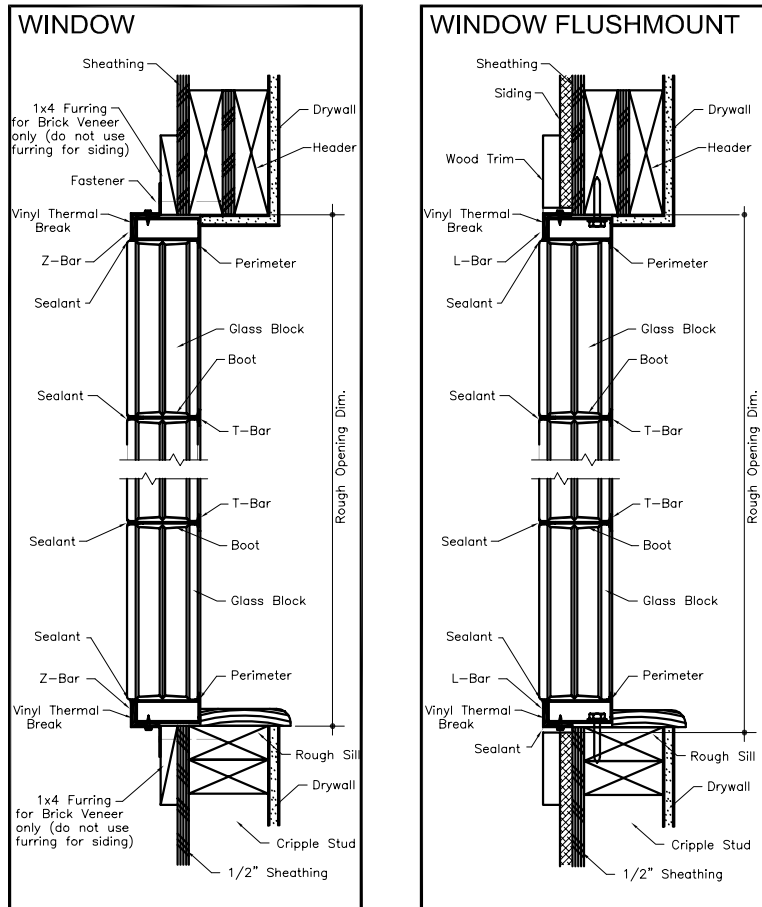
STEP 3

A visual channel will be evident around the inside edges of the Frame Assembly (exterior side) and around every glass block unit. Fill these channels with the required sealant and wipe flush with the surface of the block (please refer to instructions on the side of the sealant tube) This will complete the IBP GLASS BLOCK GRID SYSTEM™ window.

**FAILURE TO USE THE REQUIRED SEALANTS,
AS SPECIFIED HEREIN,
COULD RESULT IN UNIT FAILURE.**



REFERENCE DRAWINGS



U.S and Foreign Patents Pending

LIMITED WARRANTY

Innovative Building Products, Inc. (IBP) represents that the products sold hereunder will be free from manufacturing defects in materials for **one year** after date of purchase from an authorized IBP dealer, provided that proof of purchase can be established by receipt of sales. Any part that the customer determines has a manufacturing defect shall be returned to the authorized IBP dealer where purchases, shipping cost prepaid, if any, and shall be replaced at the sole option of IBP if deemed defective by both IBP and the authorized dealer. The total liability of IBP and/or authorized dealer on any claim, whether in contract, tort (including negligence), under warranty or otherwise, arising out of, connected with, or resulting from the manufacture, sale, delivery, resale, repair, replacement or use of any IBP products shall not exceed the purchase price of the product or part thereof giving rise to the claim. THE FORGOING WARRANTY IS IN LIEU OF ALL OTHER WARRANTIES, EXPRESSED OR IMPLIED, INCLUDING THOSE OF MERCHANTABILITY OR FITNESS FOR ANY PURPOSE NOT EXPRESSLY SET FORTH HEREIN. No liability is assumed by IBP and/or authorized dealer except as expressly stated here. In no event shall IBP and/or authorized dealer be liable for any special, incidental, or consequential damages arising out of, or in connection with the use of IBP products including, but limited to, damages for loss of revenue, cost of capital, claims of buyer's customers, and cost and expenses incurred in connection with labor, overhead, transportation, installation or removal of products or substitute facilities or supply sources.

INNOVATIVE BUILDING PRODUCTS, INC.

2917 West 7th Street * Fort Worth, TX 76017 * (817)332-9124 * (817)332-9128 fax
 IBP GLASS BLOCK GRID SYSTEM is a trademark of Innovative Building Products, Inc.